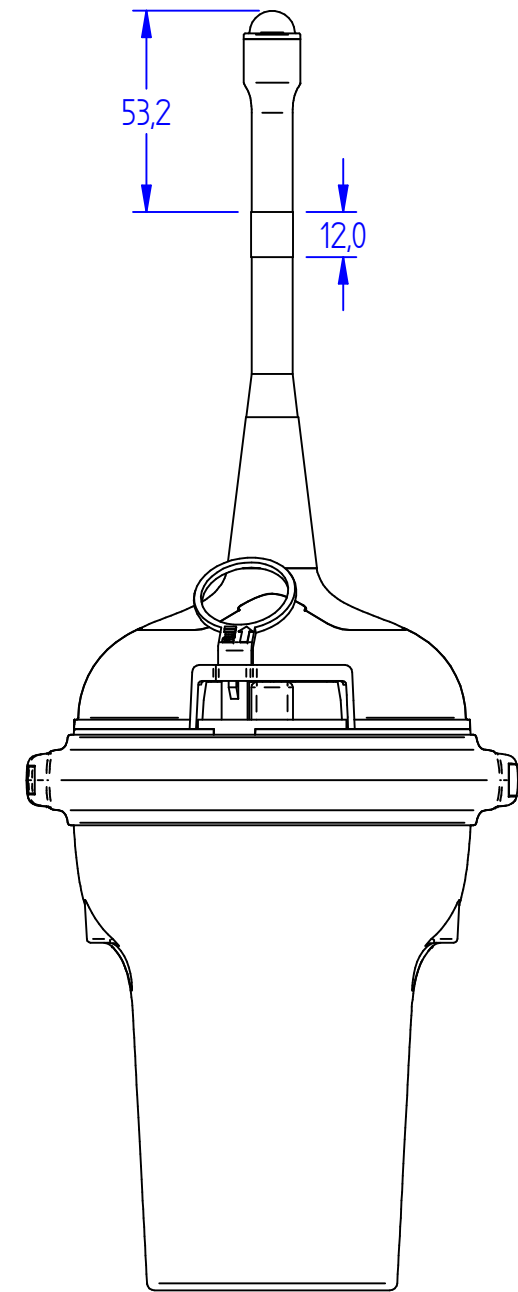


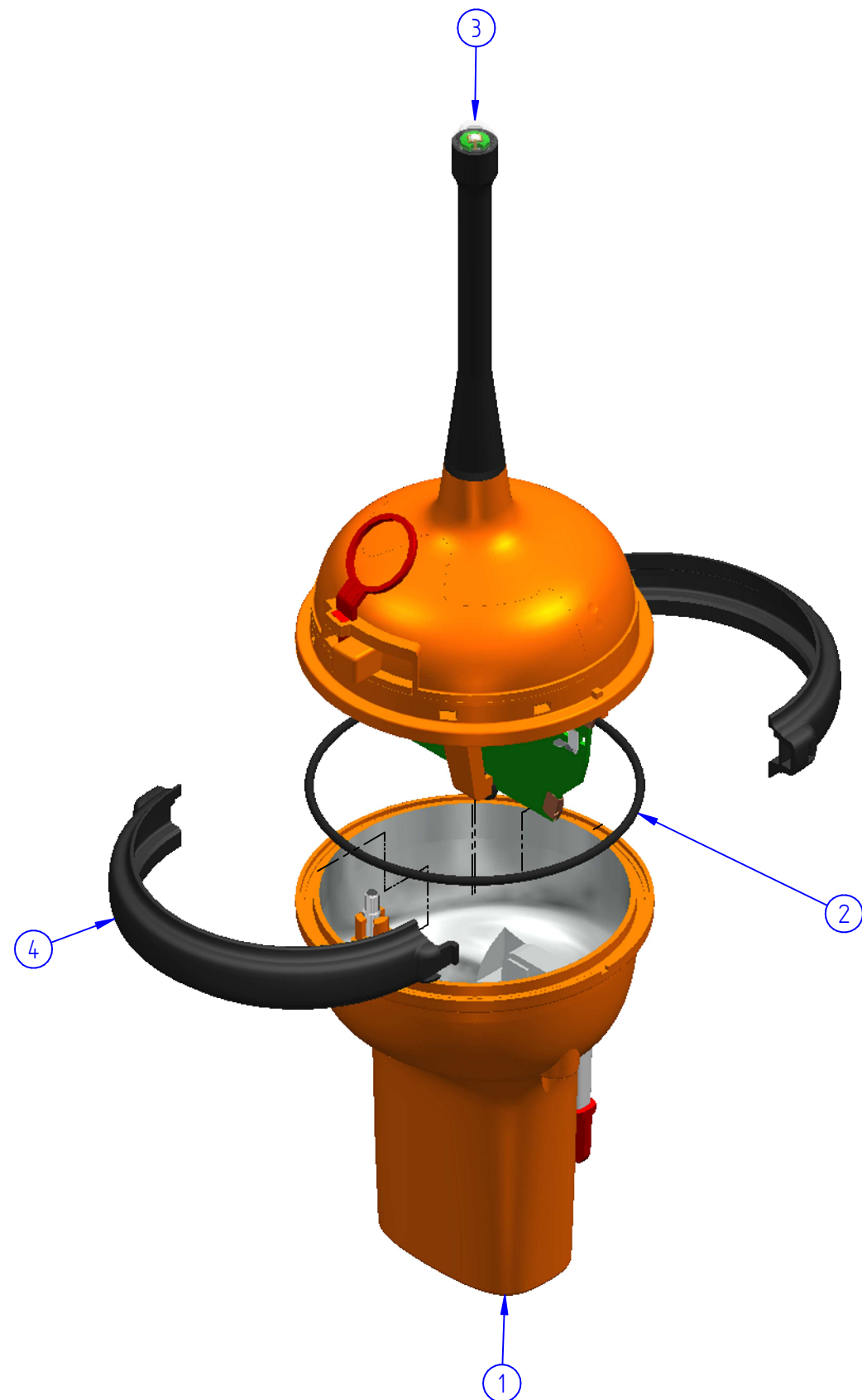


1:2




Rev	CN No	Sign	Date	Description / Change
B	6393/6432/6433	TN	19.09.2011	Sec. version
A	-	TN	25.07.2011	First version
Revision History				

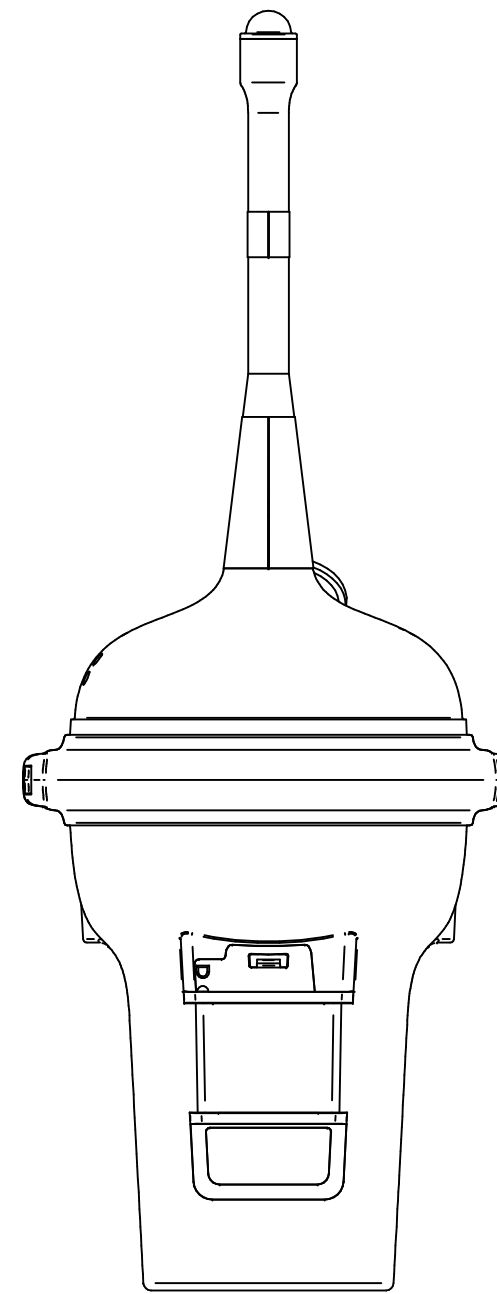
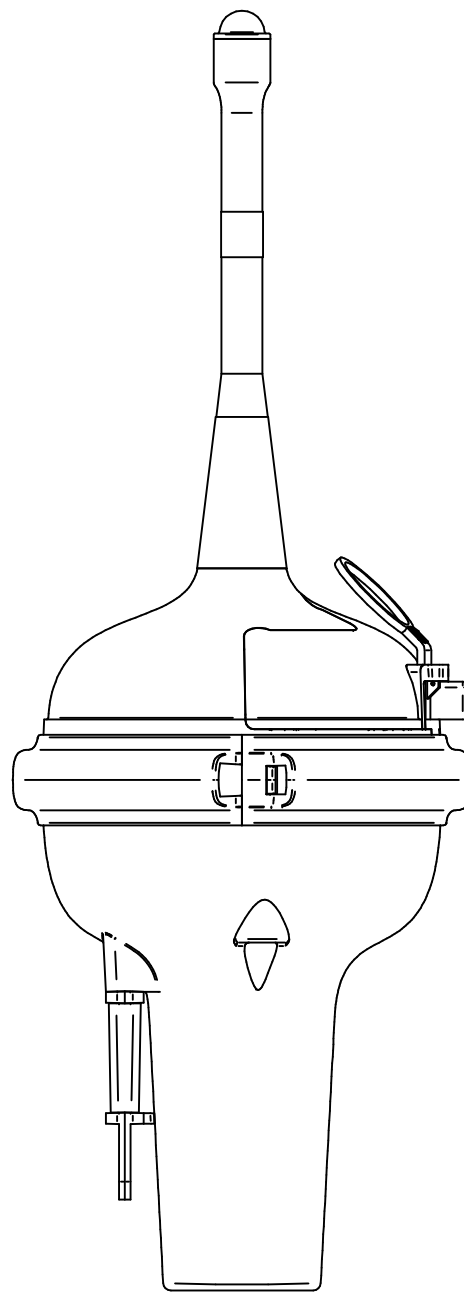
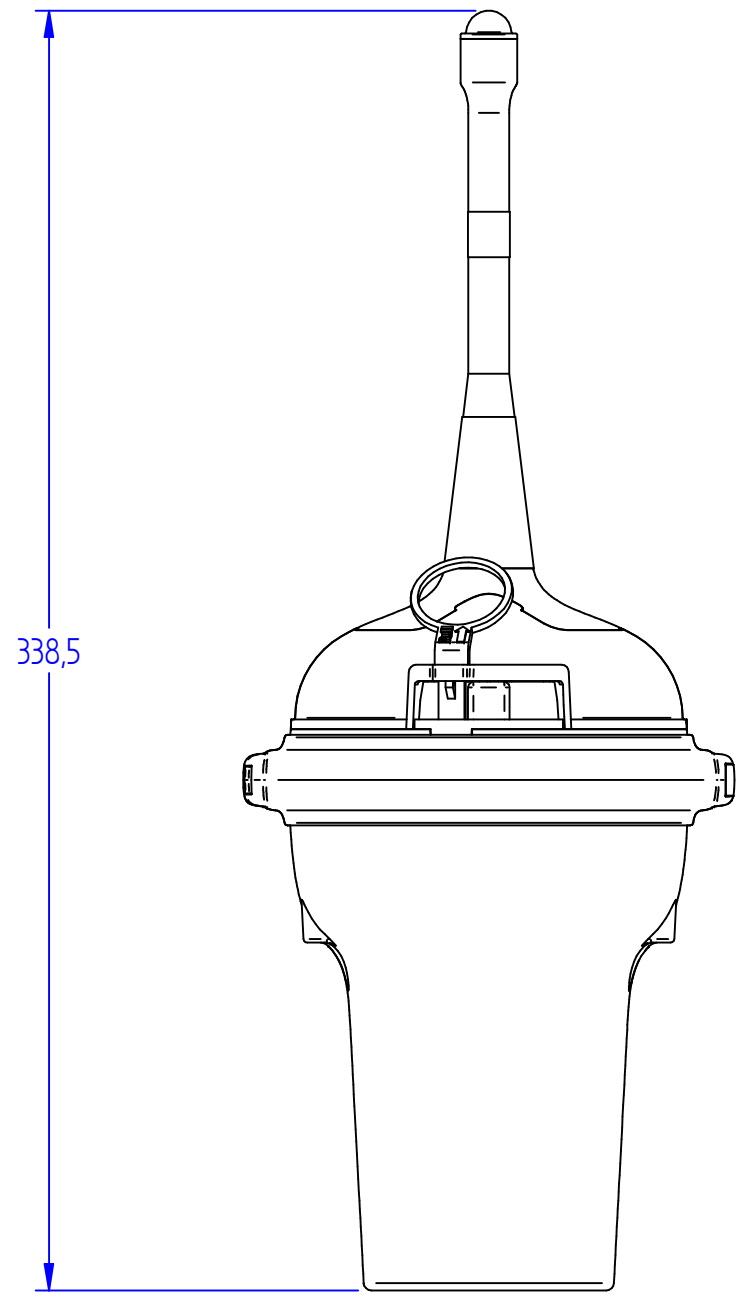
Material/Density/Mass: / / 697,9 g		This drawing is property of Jotron AS and must not be duplicated or used for manufacturing of any parts disclosed herein without permission from Jotron AS.		
General tolerance NS-ISO-2768-1-m		General Surface Roughness Ra: -		
Approved:	Original model: Terje	Original draft: Terje	Date: See Revision History	
EPIRB TRON 60S/GPS			Size: A3	Scale: :
			M-83070	Sheet: 1 / 3 Rev: B



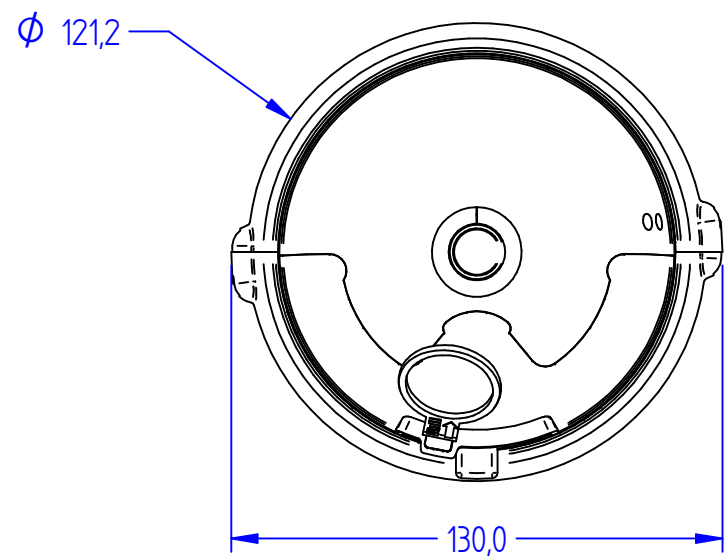
Item Number	Document Number	Title	Quantity
1	M-83076	BATTERY MODULE	1
2	M-85836	O-RING 102x3 NBR	1
3	M-83071	MAIN MODULE	1
4	M-85862	EQUATOR BELT	2

Rev	CN No	Sign	Date	Description / Change
Revision History				

Material/Density/Mass: / 697,9 g		This drawing is property of Jotron AS and must not be duplicated or used for manufacturing of any parts disclosed herein without permission from Jotron AS.		
General tolerance		General Surface Roughness Ra:		
Approved:	Original model: Terje	Original draft: Terje		
EPIRB TRON 60S/GPS			Size: A3	Scale: Sheet: 2 / 3
			M-83070	Rev: B



1:2



<p>This drawing is a property of Jotron AS and must not be duplicated or used for manufacture of the parts disclosed herein without permission from Jotron AS.</p>				
				Size:
<p>EPIRB</p> <p>TRON 60S/GPS</p>		<p>A3</p>	<p>M-83070</p>	<p>Rev:</p> <p>B</p>